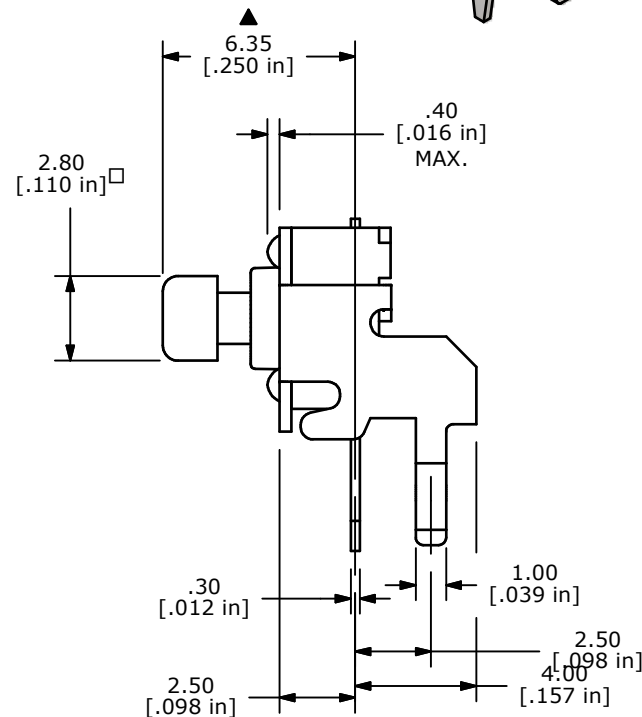
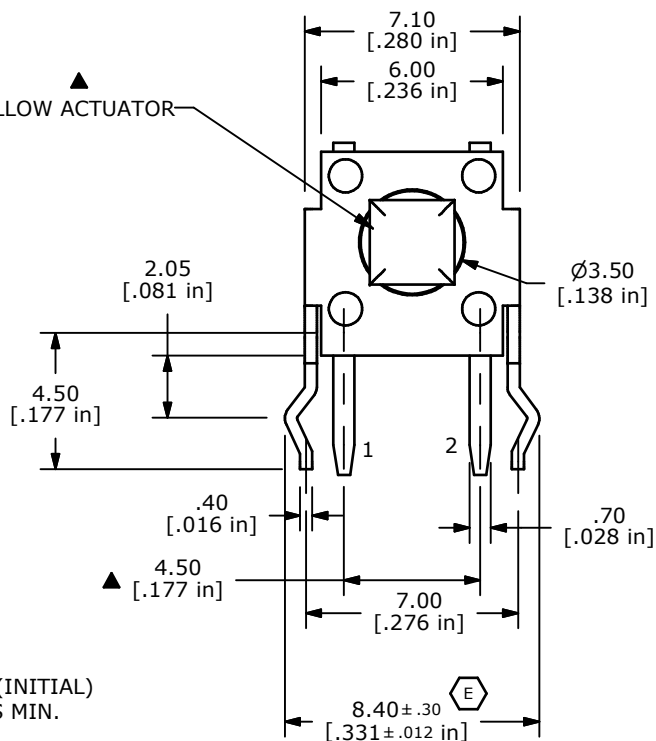


YELLOW ACTUATOR



- NOTES:
1. ALL DIMENSIONS IN MM
 2. GENERAL TOLERANCE: X.X=±0.4
X.XX=±0.25
 3. TERM. NOS. FOR REFERENCE ONLY.
 - ▲ 4. RATING: 12VDC, 50mA
 5. OPERATING FORCE: 250±50 gms
 6. TRAVEL: 0.25 +0.2/-0.1 mm
 7. CONTACT RESISTANCE: 100 MILLI OHMS MAX. (INITIAL)
 8. MECHANICAL/ELECTRICAL LIFE 100,000 CYCLES MIN.
 - ▲ 9. CONTACT MATERIAL: SILVER
 10. ▲ DENOTES CRITICAL PARAMETER
 11. 2002/95/EC (ROHS) COMPLIANT



E	18742	LEG TOLERANCE WAS +/- 0.1	1/4/2010	BLR
D	16475	CONVERTED FROM AUTO CAD	9/19/2006	TN
REV	PCR NO	DESCRIPTION	DATE	BY

TITLE TL1105JAF250Q				
SCALE	DATE	DR	DWG	REV
4:1	1/4/2010	BLR	P010217	E

THE INFORMATION CONTAINED IN THIS DOCUMENT IS PROPRIETARY TO E-SWITCH AND IS NOT TO BE COPIED OR TRANSFERRED